

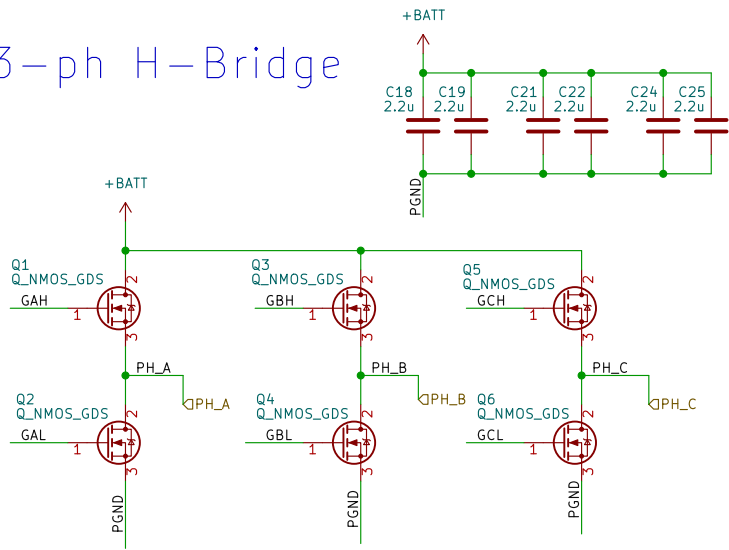
Sheet: /MCU/
 File: untitled.kicad_sch

Title:

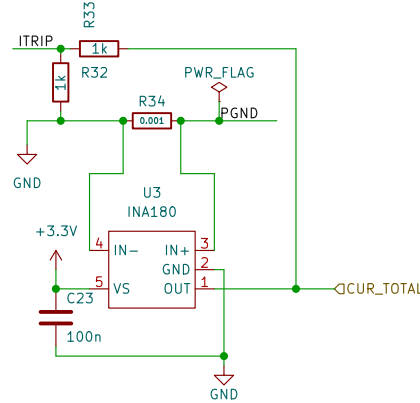
Size: A4 Date:
 KiCad E.D.A. kicad 6.0.6-3a73a75311-116-ubuntu20.04.1

Rev:
 Id: 2/3

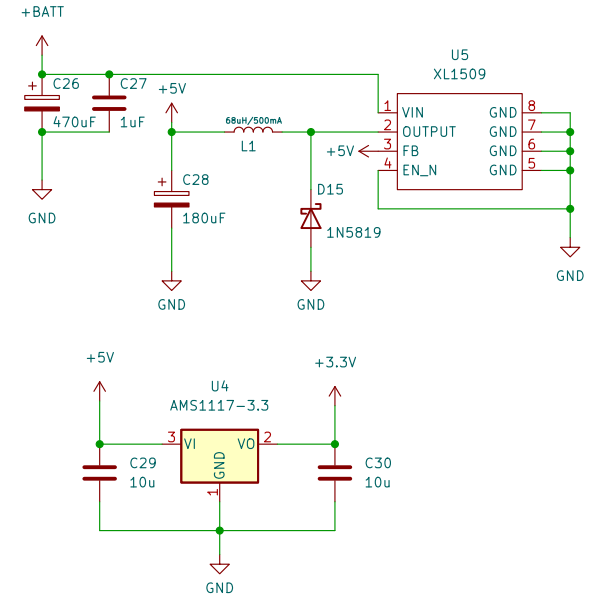
3-ph H-Bridge



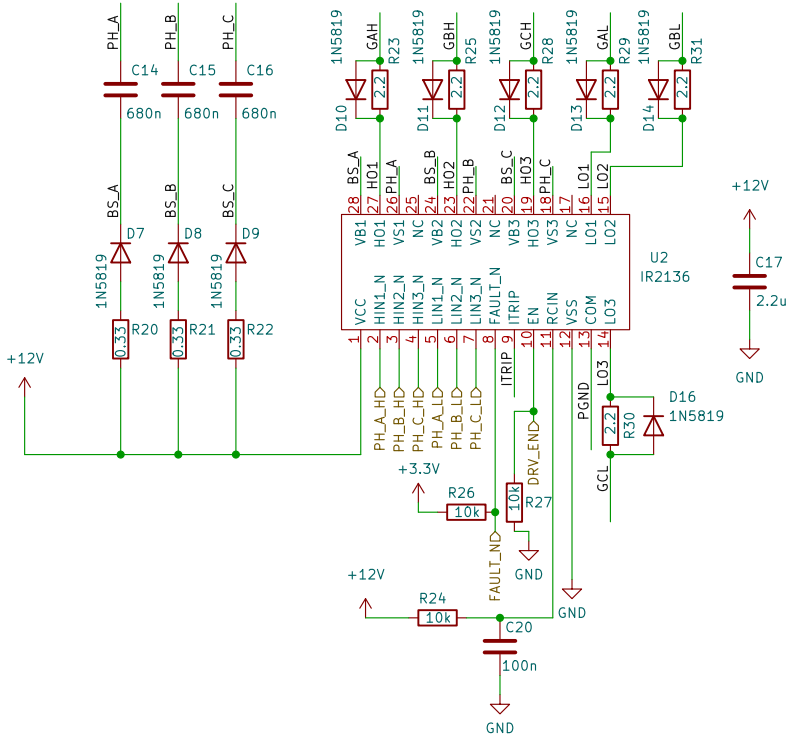
Current sense



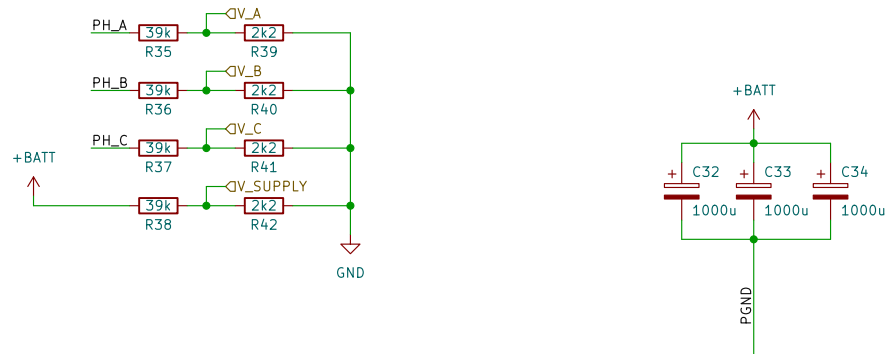
DC-DC conversion



Gate drive



Voltage sense



Sheet: /DRV/
File: drv.kicad_sch

Title:

Size: A4 Date:
KiCad E.D.A. kicad 6.0.6-3a73a75311-116-ubuntu20.04.1

Rev:
Id: 3/3